

Auto-Chlor brings the HEAT!

- Fast 45 second cycle cleans, rinses and sanitizes up to 72 racks per hour
- NSF rated to use as little as 0.69 gallons/rack
- TempWatch - temperature monitoring system – regulates rinse water to guarantee correct rinse temperatures cycle after cycle
- Capable of being a high temp or chemical sanitizing machine
- Integrated booster heater maintained by Auto-Chlor service technicians
- Three door design allows for use as an inline or corner dishwasher
- Powerful 3 hp pump delivers high pressure spray and mechanical cleaning action for single pass cleaning performance
- Integrated chemical controls and pumps
- Regularly scheduled 28-day service ensures sparkling results, minimizes mechanical problems and reduces operating costs
- Benefiting from more than 80 years of improvements and dishwashing experience and knowledge



**Total Service.
Total Satisfaction.**



Energy Efficient

- Water saving fresh water rinsing saves energy
- Low temperature chemical sanitizing saves even more

Specifications

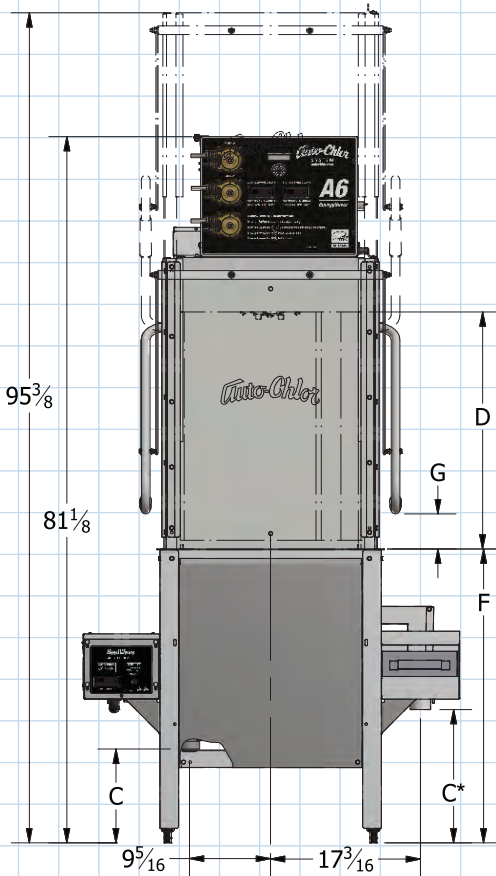
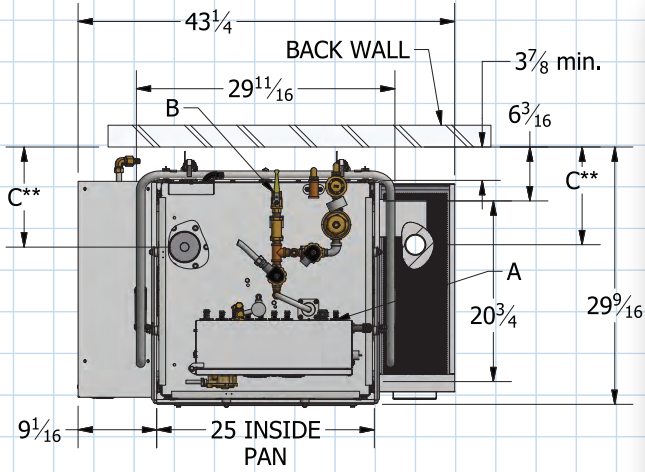
Standard 45 second cycle, 72 racks/hr.

Dual Mode Sanitizing	Chemical	High Temp
Min. Wash Time	35 Sec.	35 Sec.
Min. Wash Tank Temp.	120°F	150°F
Min. Rinse Temp.	120°F	180°F
Min. Rinse Time	10 Sec.	10 Sec.
Sanitizing Chemical Chlorine		N/A
Min. Sanitizer Conc. 50 PPM		N/A
Rinse Pressure Controlled by Pressure Regulator.		
Set Pressure: 20+/-5 PSI		

- A. Electrical
- | Ratings | 208V/1Φ/60Hz | 240V/1Φ/60Hz |
|--|--------------|--------------|
| Max Overcurrent Protection | 100 | 100 |
| Total Load | 75 | 83 |
| Booster Heater | 12 kW | 16 kW |
| Wash Tank Heater | 9 kW | 12 kW |
| Wash Pump 3 HP | 208V / 14A | 230V / 12.8A |
| Circuit Connections Required (2 Hot, 1 Neutral, 1 Ground) | | |
| Conduit and Wire sizing dependent on local codes and distance from panel Min. Wire Size. | | |
- B. Water Consumption .69 gal/rack (49.7 GPH)
 Water Supply Flow Rate 4.1 GPM
 Water Supply Connection 1/2" NPT female
 Backflow Protection ASSE 1001 Vacuum Breaker
- C. Wash Tank Drain Connection: 2" NPT, 10 3/4" from floor
- C.* Scrap Accumulator Drain: 2" NPT, 15 1/4" above floor
- C.** Wash Tank and Scrap Accumulator Drain: 11 1/2" from wall
- D. Wash Cavity Clearance: 27"
- E. Rack Clearance: 20 1/16" between tracks
 Rack Size: 20" x 20"
- F. Table Height at Machine Entrance: 34"
- G. Table Backsplash Clearance for Corner Installation: 7"

Available Options:

Vapor Removal System - VRX



Corner Configuration

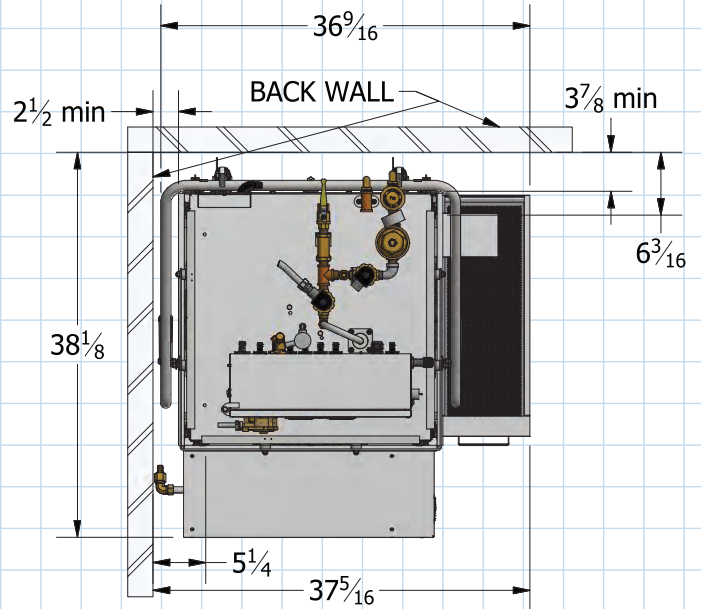
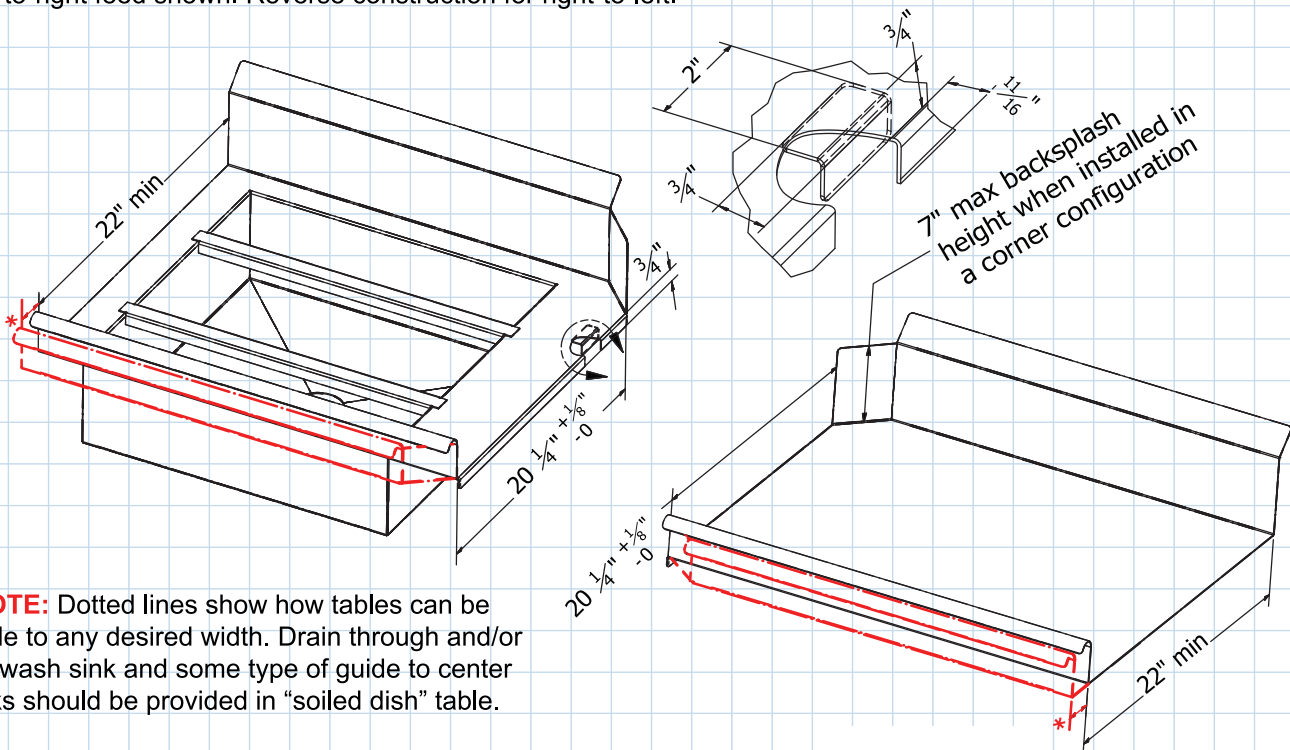


Table Layout

Left-to-right feed shown. Reverse construction for right-to-left.



***NOTE:** Dotted lines show how tables can be made to any desired width. Drain through and/or pre-wash sink and some type of guide to center racks should be provided in "soiled dish" table.

