

**Auto-Chlor**  
SYSTEM

**A5<sup>T</sup> WaterSaver™**

**Single Rack • Extended Hood • Low Energy Dishmachine**

## **Best sheet pan cleaning with 27" wash cabinet.**

- Auto-Chlor Systems proprietary WaterSaver™ design uses as little as 1.04 gallons/rack.
- Powerful 1 HP pump delivers high pressure spray and mechanical cleaning action for single pass cleaning performance
- Built in water pressure regulator provides consistent water usage and cleaning performance
- Exclusive **fill-through-the pump** feature flushes and cleans the wash pump and spray system with every cycle
- External sump and screen provide easy access for cleaning
- Regularly scheduled 28-day service ensures sparkling results, minimizes mechanical problems and reduces operating costs
- Integrated chemical pumps and controls ensure accurate detergent and sanitizer dosing with every cycle
- Benefitting from more than 75 years of improvements and dishwashing experience and knowledge



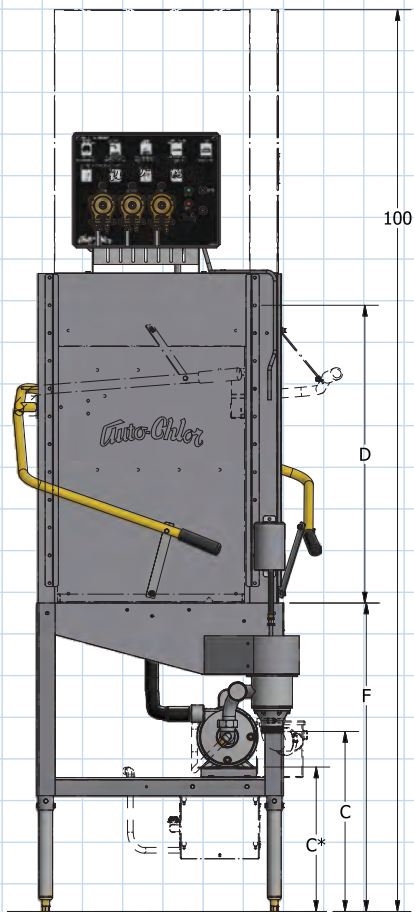
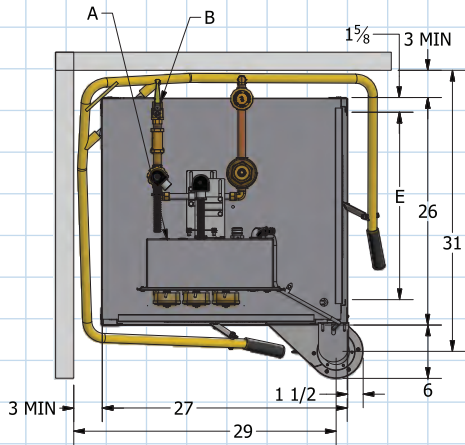
**Total Service.  
Total Satisfaction.**



### **Energy Efficient**

- Exceeds Energy Star requirements
- Water saving fresh water rinsing saves energy
- Low temperature chemical sanitizing saves even more

**Auto-Chlor**  
SYSTEM  
autochlor.com



## Specifications

Standard 90 second cycle, 38 racks/hr

- A - Electrical - 115 VAC, 60 Hz, 1 PH  
- 20A Dedicated Circuit
- B - Water Consumption 1.04 gal/rack (38.4 GPH)  
- Water Supply Flow Rate 7.5 GPM Minimum  
- Water Temp 120° F Minimum  
- Water Supply Connection 1/2" NPT male  
- Backflow Protection ASSE 1001 Vacuum Breaker
- C - Drain Connection: 2" NPT  
- 20" above floor
- C\* - Optional Scrap Accumulator  
- Connection 2" NPT  
- Centerline 15 1/2" above floor
- D - Wash Cavity Clearance 27" Max Height
- E - Rack Clearance - 20 1/8" between tracks  
- Rack Size 20" x 20"
- F - Table Height at Machine Entrance 34"

### Available Options:

- Auto-Start
- Leg Extensions 3"
- Vapor Removal System (VRX)
- 72 second cycle, 46 Racks/hr, 50 GPH
- 60 second cycle, 55 Racks/hr, 59 GPH
- Tall Hood 28" Max. Height Wash Cavity

### Optional Supplemental Water Heaters Available

An optional integrated water heating system is available for this model dishmachine. The integrated system mounts within the framework of the machine so no additional floor space is required. The integrated heater is ideal for facilities with insufficient water capacity, on-demand style water heaters or remotely located heaters. The heater can operate on 50A 208-240V circuits using either single or three phase power. Contact your local Auto-Chlor System representative for more information.

